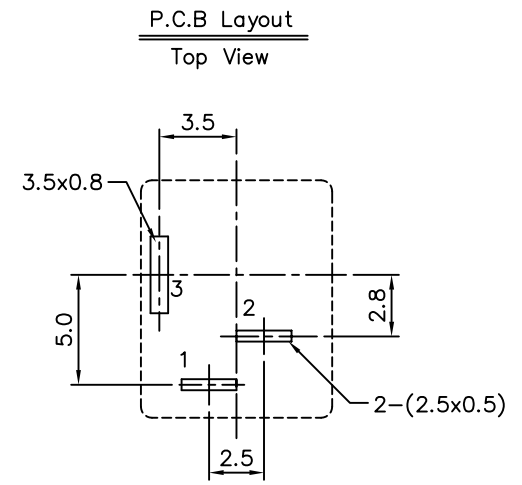
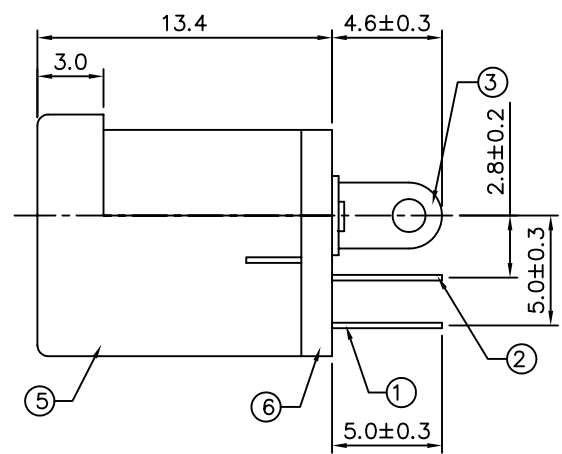
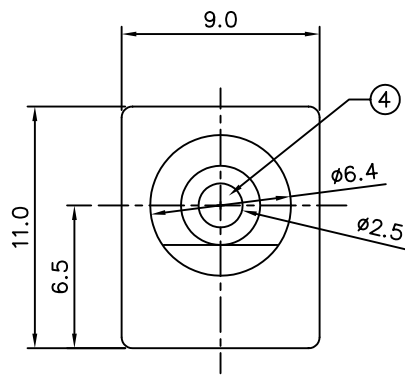
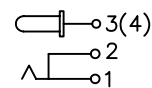


**SPECIFICATIONS**  
 Rating: DC 30V,0.5A  
 Contact Resistance: 30 Milliohms Max.  
 Insulation Resistance: 100 Megohms Min.(DC 250V)  
 Withstand Voltage: 500VAC  
 Insertion And Extraction Force: 3-20N  
 Life Test: 5000 Cycles



Schematic



6	Cover	1	PF	
5	Housing	1	PBT	
4	Pin	1	Brass	Ni-Plating
3	Contact Foot	1	Brass	Ag-Plating
2	Flat Piece	1	Brass	Ag-Plating
1	Spring	1	Stainless Steel	Ag-Plating
No.	Description	Q'ty	Material	Plating

DRAWING No.		APPROVED BY		UNLESS OTHERWISE SPECIFIED TOLERANCES ARE .X ±0.15 .XX ANG. ±1.5'				
05540		MEI						
		BECKY						
		DRAWING BY						
		HZF						
SCALE	NONE	REV.	A0	UNIT	mm	NO.REV.	△ A0 NEW RELEASE	BECKY 12/09/2005
							REVISIONS	CHK DATE