

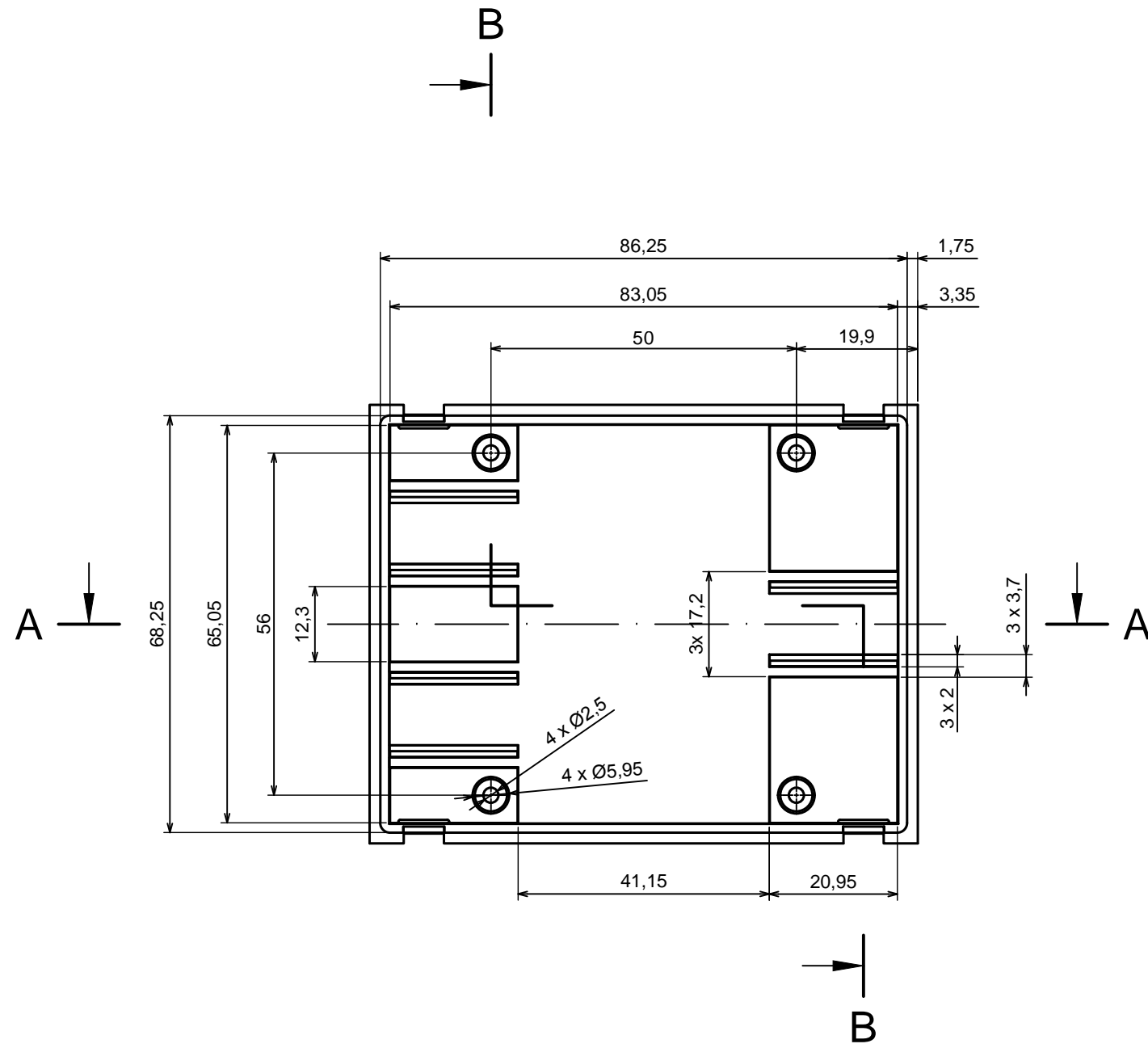
All rights reserved. Copyright Kradex 2023

Product model Enclosure ZD1004 - Assembly

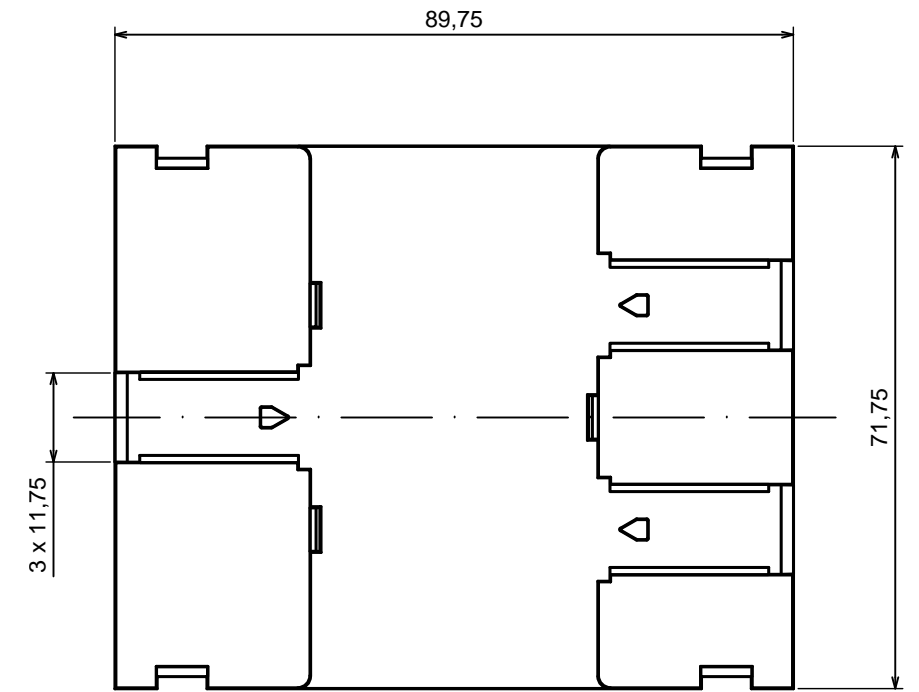
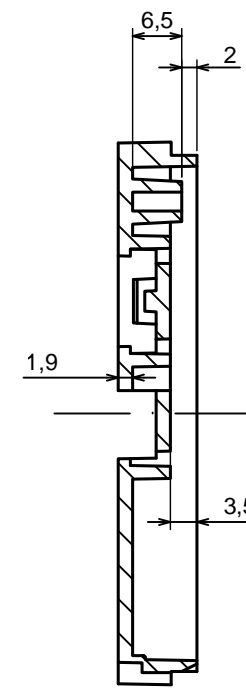
Format: A3 Material: ABS

Scale 1:1 Tolerance: +/- 0,5

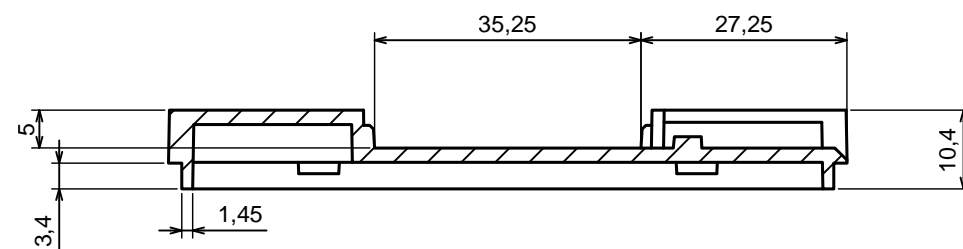




B-B



A-A



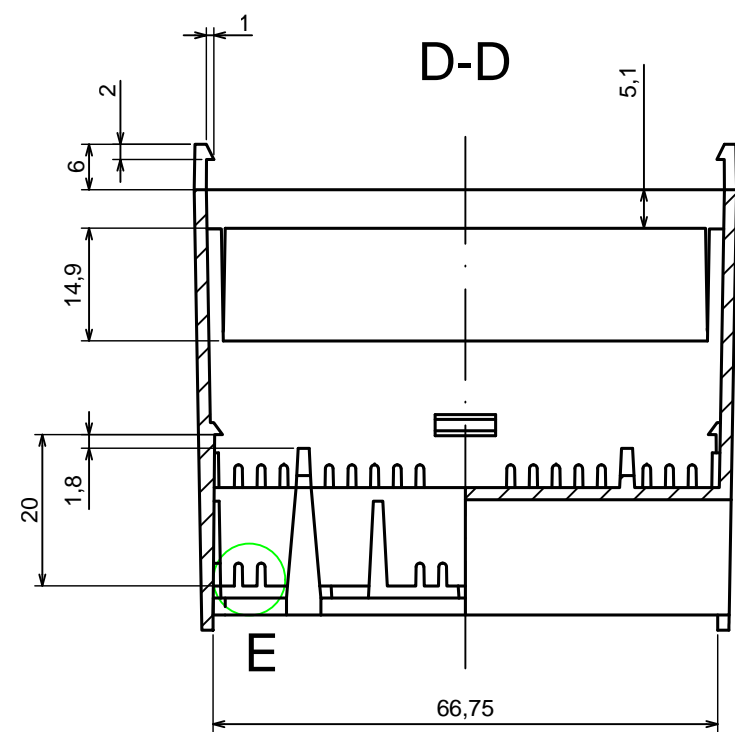
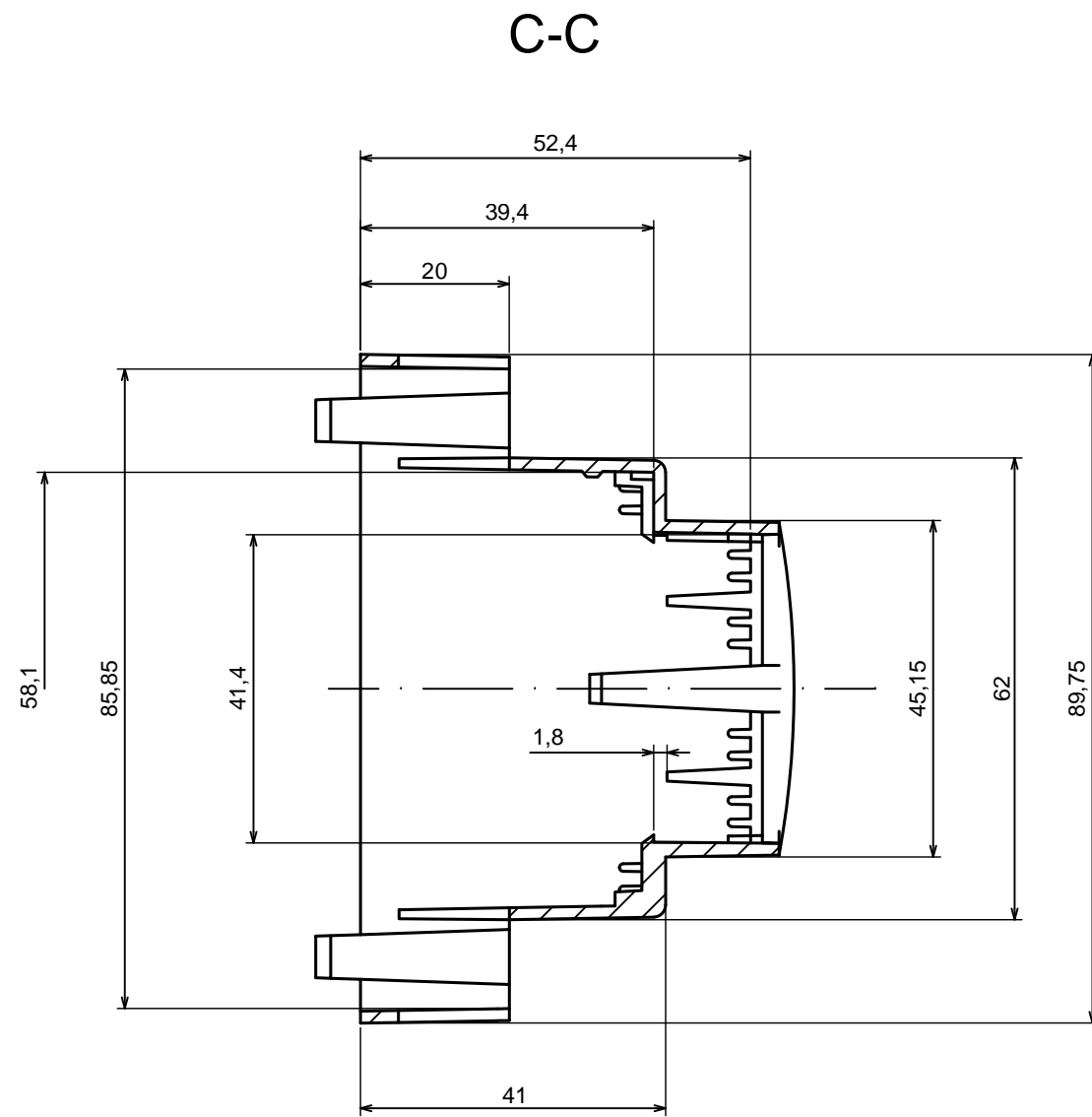
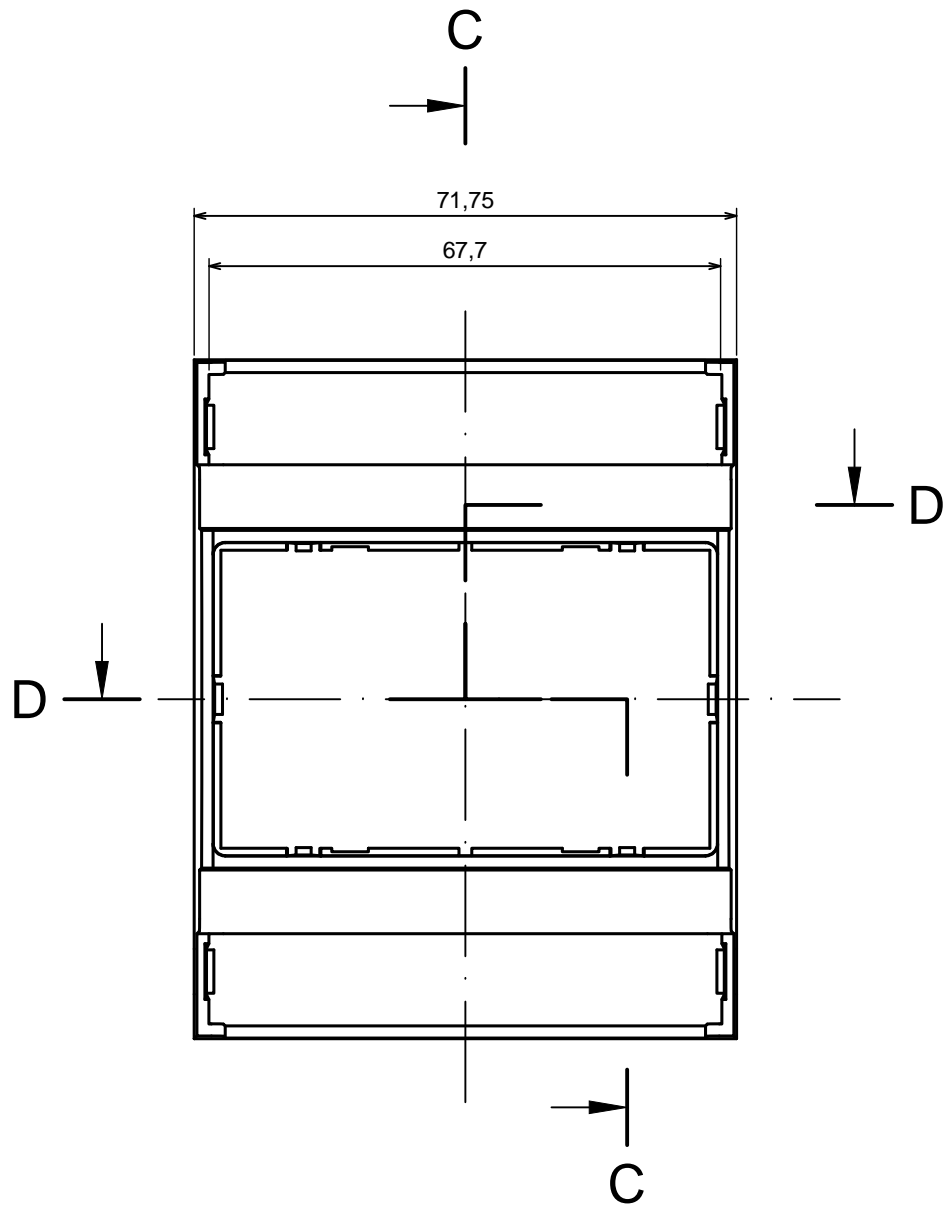
All rights reserved. Copyright Kradox 2023

Product model | Enclosure ZD1004 - Base

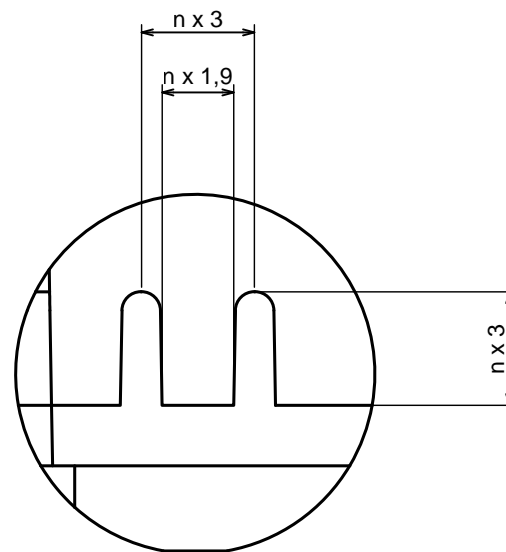
Format: A3 | Material: ABS

Scale 1:1 | Tolerance: +/- 0,5





E (5.0000)



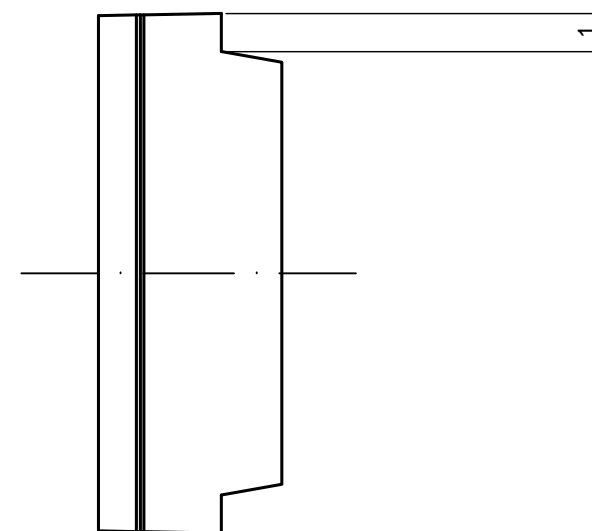
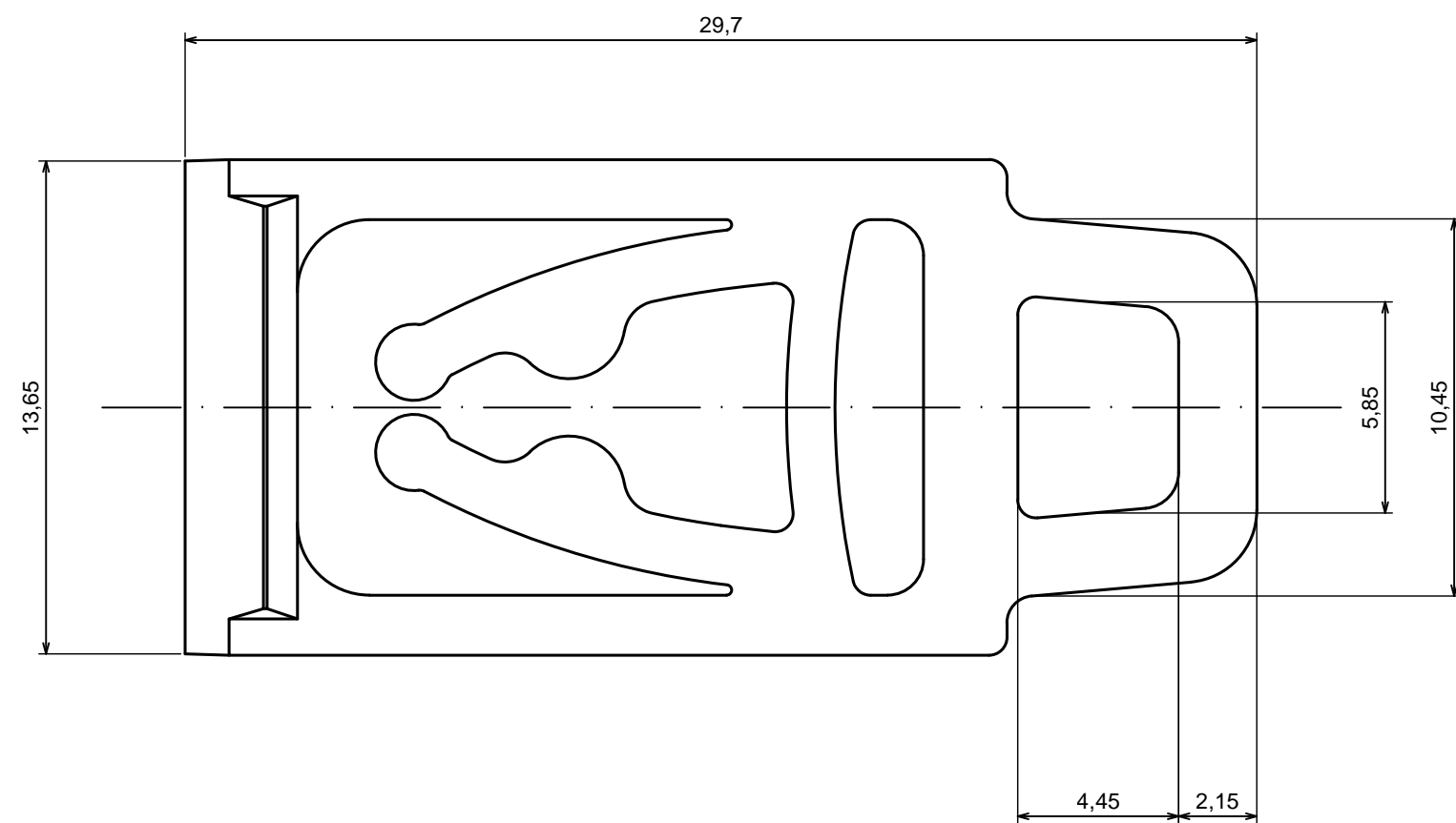
All rights reserved. Copyright Kradox 2023

Product model Enclosure ZD1004 - Cover

Format: A3 Material: ABS

Scale 1:1 Tolerance: +/- 0,5





All rights reserved. Copyright Kradox 2023

Product model: Enclosure ZD1004 - Hook

Format: A3 Material: ABS

Scale 5:1 Tolerance: +/- 0,5

