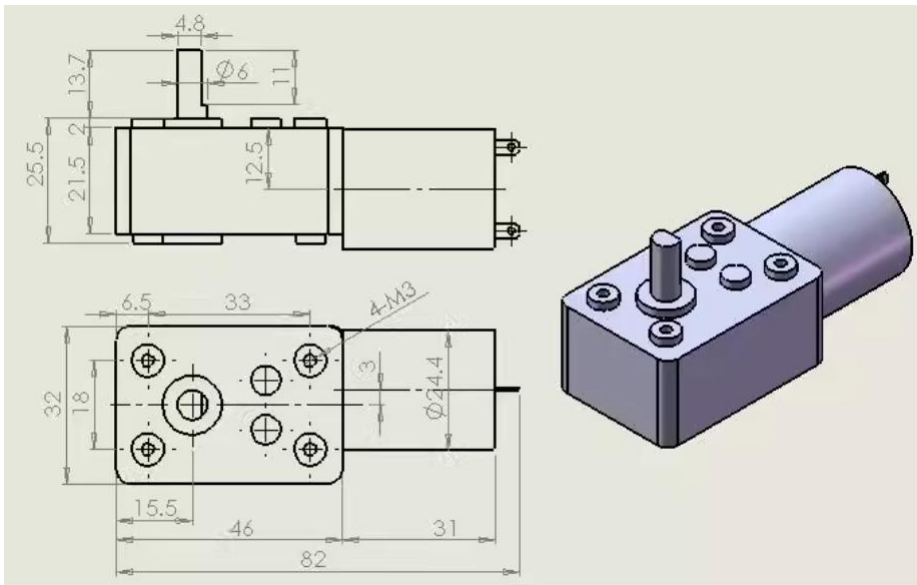


## Turbo Metal Gear Worm Motor (12V 40RPM )



- Supply voltage: 6-15V
- Rated voltage: 12V
- Gear ratio: 150:1
- No-load current: 35mA
- Rated current: 80mA
- Current at stopped shaft: 1A
- Idle speed: 32RPM
- Rated speed: 40RPM
- Rated torque: 2.2KG.CM
- Torque at stopped shaft: 8KG.CM