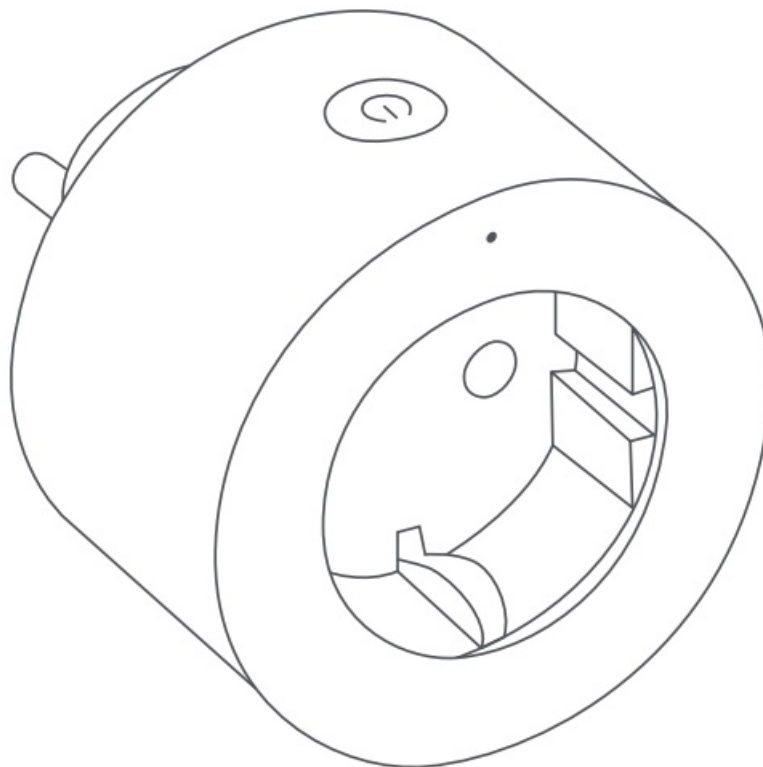




Aqara SP-EUC01 Smart Plug User Guide

[Home](#) » [Aqara](#) » Aqara SP-EUC01 Smart Plug User Guide 



Smart Plug Quick Start Guide

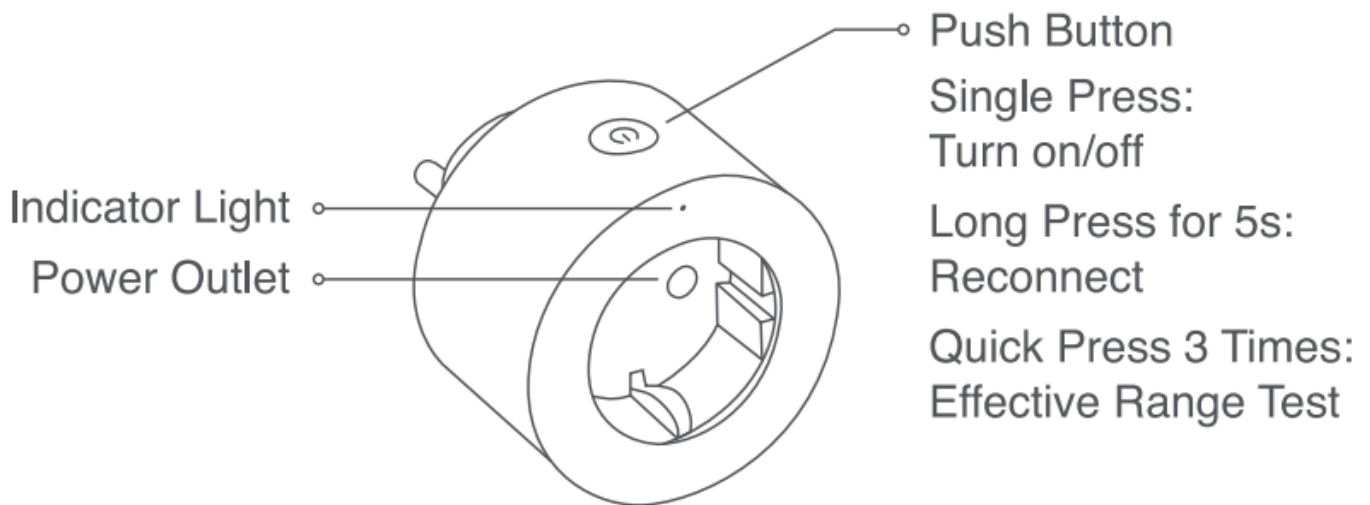
Contents

- [1 Product Introduction](#)
- [2 Warning](#)
- [3 Installation](#)
- [4 Quick Setup](#)
- [5 Indicator Light Description](#)
- [6 Specification](#)
- [7 Documents / Resources](#)
- [8 Related Posts](#)

Product Introduction

Aqara Smart Plug turns on or off the power supply for home appliances. It works with a Hub to achieve functions, such as remote control via app, and timing control. Together with other smart accessories, it provides you with an interesting smart home experience.

- This device requires a compatible Zigbee 3.0 hub.
- To work with HomeKit, a specific hub is required.
Visit www.aqara.com/support for more details.
- This product is for indoor use only.



Warning

1. Do not cover it when the plug is working.
2. Voltage-free only when the plug is removed.
3. Do not connect in
4. Do not use in damp areas.

Installation

Plugin the Smart Plug, if the blue indicator light blinks once, it indicates the power supply is working properly.

Quick Setup

1. Please add the Hub to the app according to the Hub Quick Start Guide.
2. Please open the app, tap “Home” and then tap “+” in the top right corner to enter the “Add Device (Accessory)” page. Select “Smart Plug”, and add it according to instructions. If the connection fails, please move the Smart Plug closer to the Hub, plug it in and try again.

Effective Range Test: Quick press the push button on the accessory 3 times. If the Hub makes voice prompts, it indicates that the accessory can communicate effectively with the Hub.

Indicator Light Description

Indicator Light Status	Status Description
Blue light blinks quickly	Zigbee network is connecting
Blue light keeps on	Zigbee network works properly
Red light blinks quickly	High-temperature alarm
Red light blinks slowly	Zigbee network is not connected

Specification

Model: SP-EUCO1

Dimensions: 062 x 77.5 mm (02.44 x 3.05 in.)

Wireless Protocol: Zigbee 3.0

Electrical Rating: 250 VAC, 50/60 Hz, 10 A, MAX. 2300 W Ambient Temperature: 0 — 35°C (32°F – 95°F)

Operating Humidity: 0 — 95% RH, non-condensing

Maximum Transmit Power: 10.5 dBm

Working Frequency: 2405 MHz-2480 MHz

Online Customer Service: www.agara.com/support Email: support@atiara.com

Manufacturer: Lumi United Technology Co., Ltd.

Address: 8th Floor, JinQi Wisdom Valley, No.1 Tangling Road, Liuxian Ave, Taoyuan Residential District, Nanshan District, Shenzhen, China.



Hereby, Lumi United Technology Co., Ltd., declares that the radio equipment type [Aiwa Smart Plug, SP-EUC01] is in compliance with Directive 2014/53/EU. The full text of the EU declaration of conformity is available at the following Internet address: <http://www.lumiunited.com/DoC/>





RECYCLING. This product bears the selective sorting symbol for waste electrical and electronic equipment (WEEE). This means that this product must be handled pursuant to European directive 2012/19/EU in order to be recycled or dismantled to minimize its impact on the environment. The symbol for ‘ENVIRONMENT PROTECTION — Waste electrical products should not be disposed of with household waste. Please recycle where facilities exist. Check with your local Authority or retailer for recycling advice’.

The symbol on the product or on its packaging indicates that this product may not be treated as household waste. Instead, it shall be handed over to the applicable collection point for the recycling of electrical and electronic equipment.

**Zigbee 3.0
Install Code**

Documents / Resources

	<p>Aqara SP-EUC01 Smart Plug [pdf] User Guide SP-EUC01, 6970504210646, Smart Plug</p>
	<p>Aqara SP-EUC01 Smart Plug [pdf] User Guide SP-EUC01, Smart Plug</p>

Manuals+