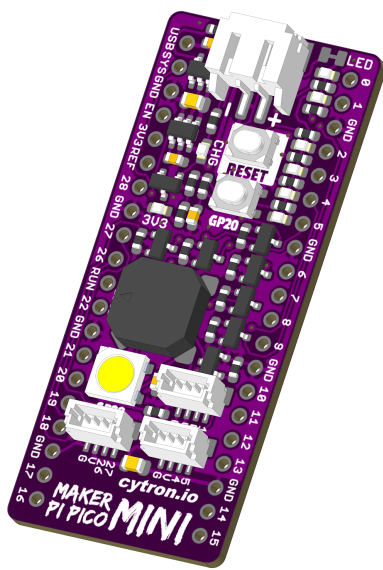


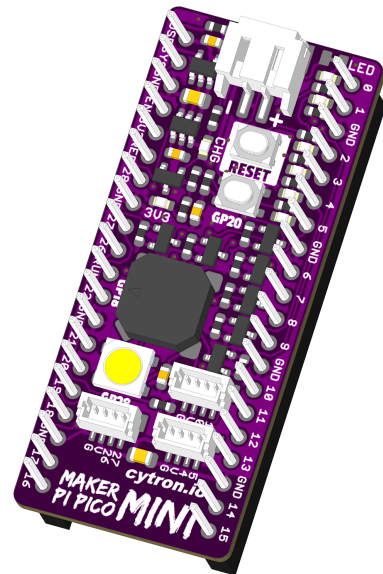


MAKER-PI-PICO-MINI

Simplifying Projects with Raspberry Pi Pico / Pico W



MAKER-PI-PICO-MINI



MAKER-PI-PICO-MINI-NB

Datasheet

Rev 1.0
June 2022

Information in this publication regarding device applications and the like is intended through suggestion only and may be superseded by updates. It is your responsibility to ensure that your application meets with your specifications. No representation or warranty is given and no liability is assumed by Cytron Technologies Incorporated with respect to the accuracy or use of such information or infringement of patents or other intellectual property rights arising from such use or otherwise. Use of Cytron Technologies's products as critical components in life support system is not authorized except with express written approval by Cytron Technologies. No licenses are conveyed, implicitly or otherwise, under any intellectual property rights.

1. BOARD LAYOUT & FUNCTION

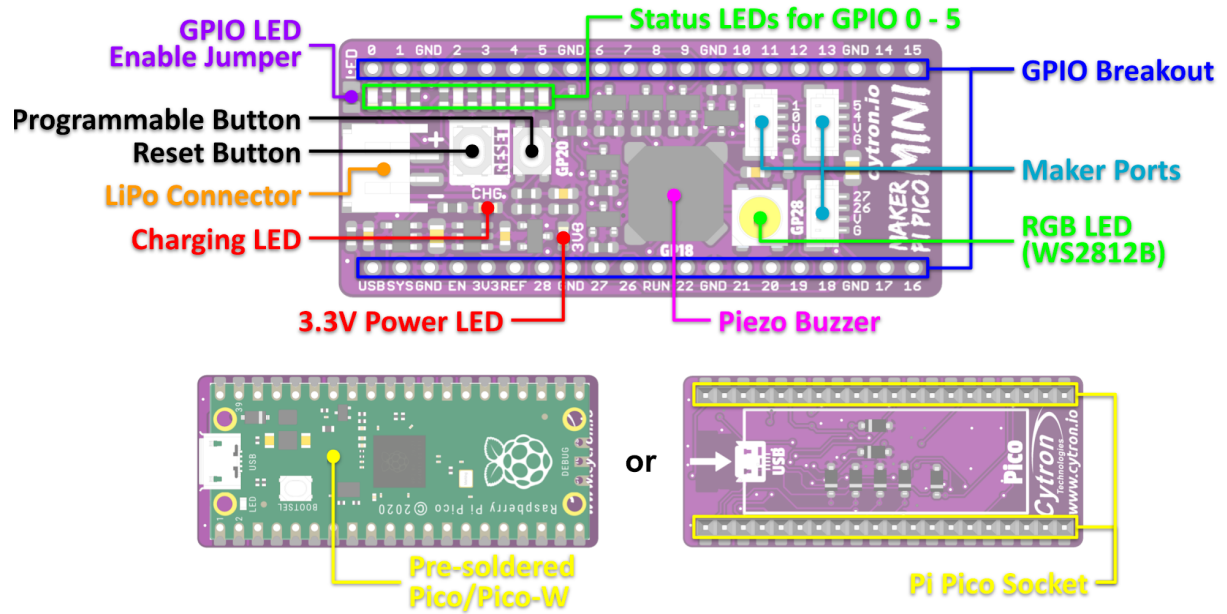


Figure 1: MAKER-PI-PICO-MINI Board Functions

Function	Description
Status LEDs for GPIO	LED indicator for digital IO GP0 - GP5. Turn on when the IO state is high.
GPIO LED Enable Jumper	Cut the trace to disable the GPIO LEDs. This is done to save power or to reduce distraction from GPIO LEDs.
Programmable Button	Accessible from the user program. Connected to GP20.
Reset Button	Press to reset the Raspberry Pi Pico / Pico W.
LiPo Battery Connector	Connect to Single Cell LiPo / Li-Ion Battery. Rechargeable via USB. <i>* The battery is protected from overcharged and over discharged. If the board cannot be turned on when the battery is connected, please charge the battery to activate the battery protection circuit.</i>
Charging LED	Turn on when the LiPo battery is charging.
3.3V Power LED	Turn on when powered up.
Piezo Buzzer	Programmable passive piezo buzzer. Connected to GP18.
RGB LED (WS2812B)	User programmable WS2812B RGB LED. Connected to GP28.
Maker Ports	JST-SH 4-Ways Connector for external modules. Compatible with Qwiic, STEMMA QT and Grove (Via Conversion Cable).
GPIO Breakout	Pin Headers for external connection. It's not pre-soldered for Maker Pi Pico Mini which comes with Raspberry Pi Pico / Pico W pre-mounted.
Pi Pico Socket	Socket for Raspberry Pi Pico / Pico W. <i>* Available on MAKER-PI-PICO-MINI-NB only.</i>

Table 1: MAKER-PI-PICO-MINI Board Functions

3. SPECIFICATIONS

No	Parameters	Min	Max	Unit	
1	Power Input Voltage	USB	4.5	5.5	VDC
		LiPo Battery	3.3	4.2	VDC
2	Digital Input Voltage	Low Level	-0.3	0.8	V
		High Level	2.0	3.6	V
3	Digital Output Voltage	Low Level	0	0.5	V
		High Level	2.6	3.3	V
4	Analog Input Voltage	0	3.3	V	
5	Operating Temperature	-20	85	°C	

Table 3: MAKER-PI-PICO-MINI Absolute Maximum Ratings

4. DIMENSION

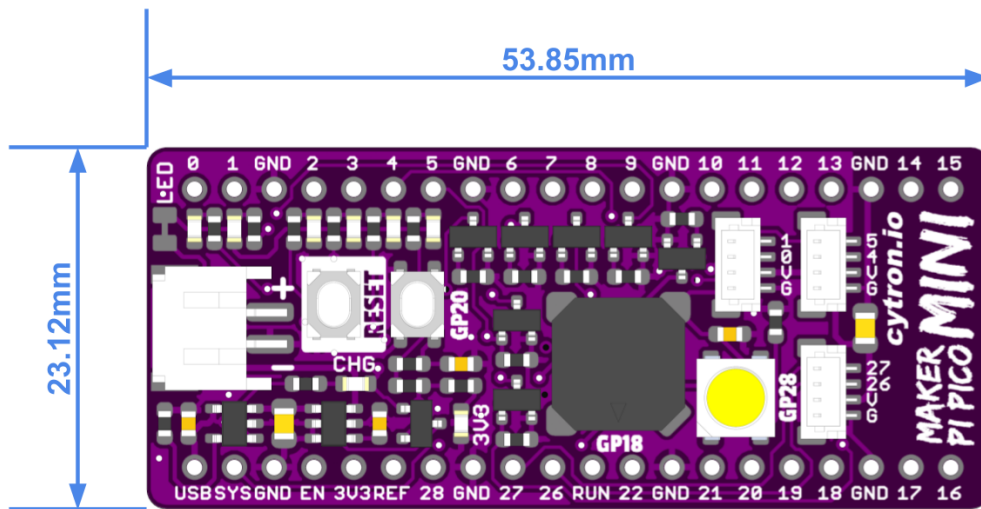


Figure 4: MAKER-PI-PICO-MINI Dimension

Prepared by:

Cytron Technologies Sdn Bhd

www.cytron.io

No. 1, Lorong Industri Impian 1,
Taman Industri Impian,
14000 Bukit Mertajam,
Penang, Malaysia.

Tel: +604 - 548 0668

Fax: +604 - 548 0669

Email:

support@cytron.io

sales@cytron.io