

电气特性 Electrical Characteristics

标称阻值范围	Standard Resistance Range	100Ω-2MΩ
阻值允许偏差	Resistance Tolerance	□ ± 10%, □ ± 20%, □ ± 30%
残留阻值	Residual Resistance	最大为标称阻值的5%, 最大不高于30Ω
线性	Resistance Taper	直线 Linear (B)
功率	Rated Power	0.1W
使用电压	Operating Voltage	不超过50V
旋转寿命	Potential Life	空载旋转100圈后, 阻值变化最大为 ± 15%
负载寿命	Load Life	Max = 5% change in resistance after 100 unloaded rotations
		Max = 5% change in resistance after 3 hours loaded

机械性能 Mechanical Characteristics

旋转角度	Rotational Angle	200° ± 20°
扭力矩	Rotational Torque	30~350g.cm
止扭力矩	Stop-end Strength	最小达500g.cm以上

气候特性 Climatic Characteristics

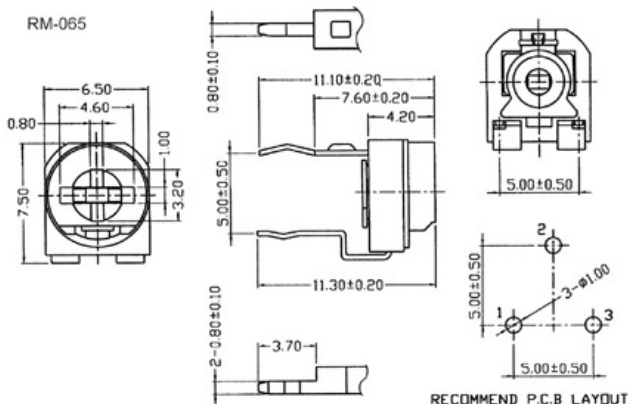
使用温度	Operating Temp	-25℃~40℃
温度特性	Temp Characteristics	以70℃调5小时, 阻值变化为+5~-10%
湿度特性	Humidity Char	+5~-10% change in RR after 5 hours at 70℃
		在40℃湿度及相对湿度95%的情况下放置500小时, 阻值变化最大为 ± 20%
		Maximum resistance change within ± 20% after 500hours unloaded at 40℃ and R.H.95%

焊接条件 Soldering Conditions

焊接温度	Temperature	260℃
焊接时间	Time	3秒
		3 seconds

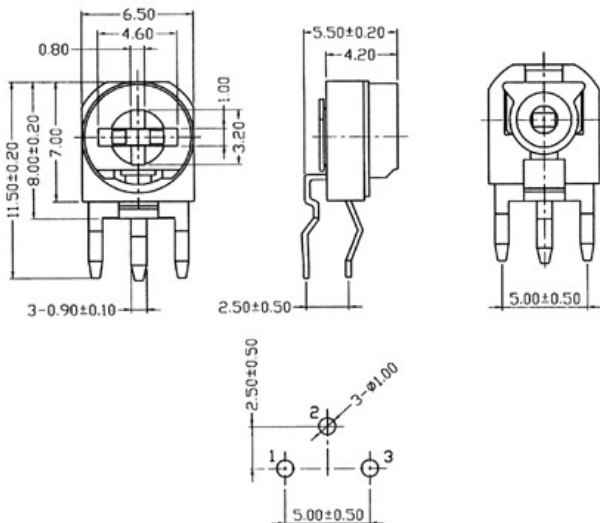
共有尺寸 Common Dimensions

RM-065



RECOMMEND P.C.B LAYOUT

RM-063



RECOMMEND P.C.B LAYOUT