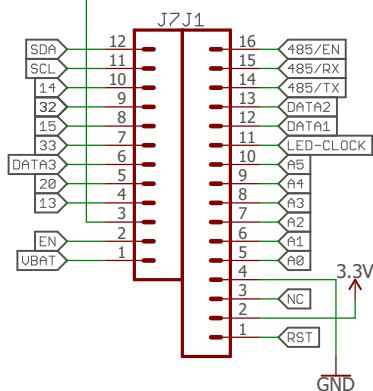
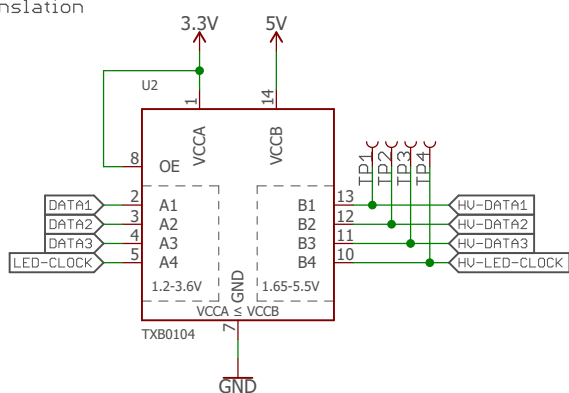


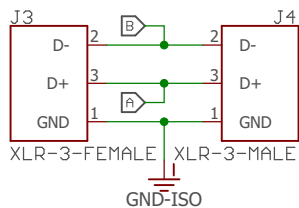
### ESP32 Thing+



### LED Logic Translation

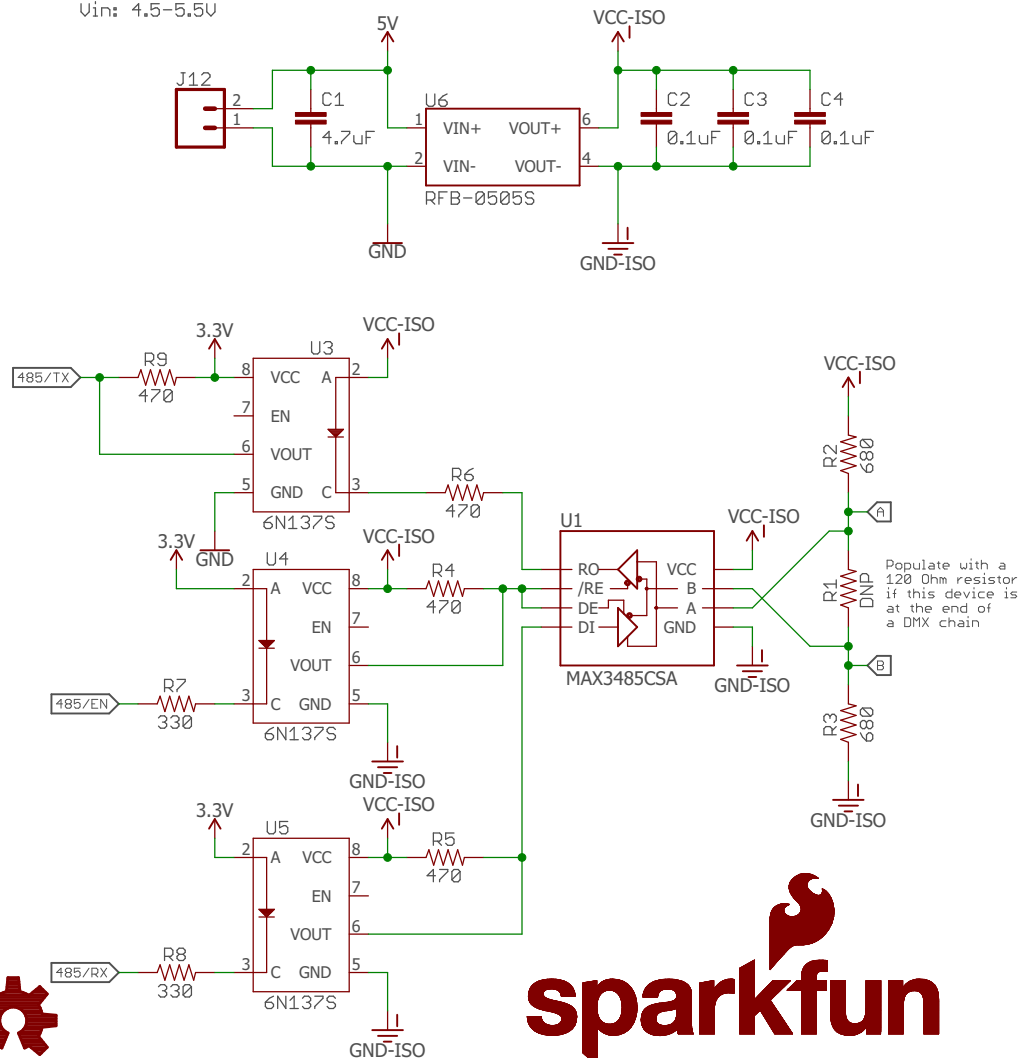


### XLR-3/LED Connections



### Power/Signal Isolation

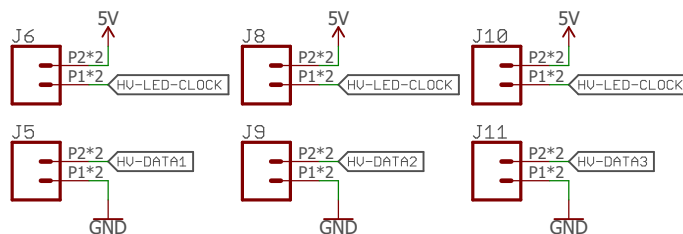
V<sub>in</sub>: 4.5-5.5V



Populate with a 120 Ohm resistor if this device is at the end of a DMX chain



open hardware



Released under the Creative Commons Attribution Share-Alike 4.0 License  
<https://creativecommons.org/licenses/by-sa/4.0/>

TITLE: SparkFun ESP32 Plus DMX to LED Shield

Design by: Andy England

REV: v10

Date: not saved!

Sheet: 1/1