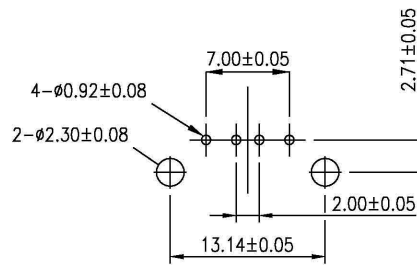
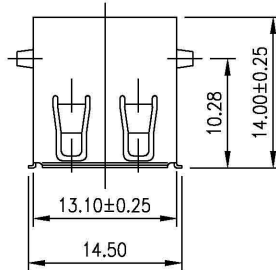
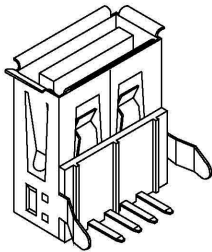
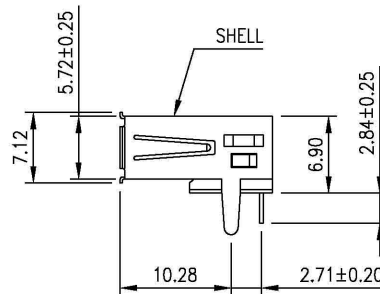
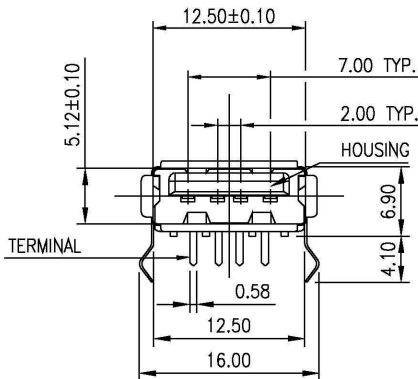


USB A TYPE, FEMALE SINGLE DECK (RIGHT ANGLE, THRU-HOLE)



PC BOARD LAYOUT



Specification:

- Housing: PBT+Glass Fiber, UL94V-0
- Contact: Phosphor Bronze (0.25mm)
- Shell: Phosphor Bronze (0.3mm)
- Voltage Current Rating: 1A, 30Vac
- Insulation Resistance: 1000MΩ Min.
- Contact Resistance: 30mΩ Max.
- Dielectric Withstanding Voltage:
AC 500V for 1 minute
- Temperature Rating: -55°C to +105°C