

Specification

Lithium Polymer Battery Pack (LP903450) 1600mAh 3.7V with Protection Circuit Module (PCM)
 This data sheet describes the requirements and properties of lithium polymer rechargeable battery pack manufactured by AKYGA

Mechanical Characteristics

Type number: LP903450
 Designation IEC system: Lithium polymer battery pack
 Length: 50 ± 0.4 mm
 Width: 34 ± 0.4 mm
 Thickness: 9.0 ± 0.2 mm
 Cable: 150 ± 3.0 mm (26AWG UL 1007)
 Weight: appr. 31.5g
 Connector: JST 2.54 male & female connectors

Electrical Specification

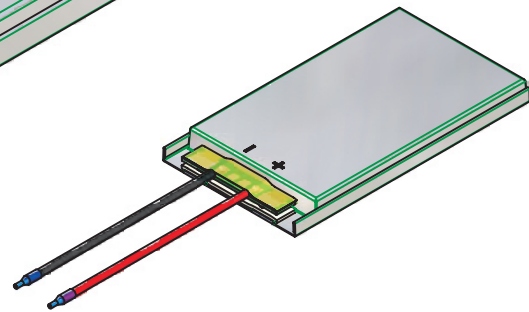
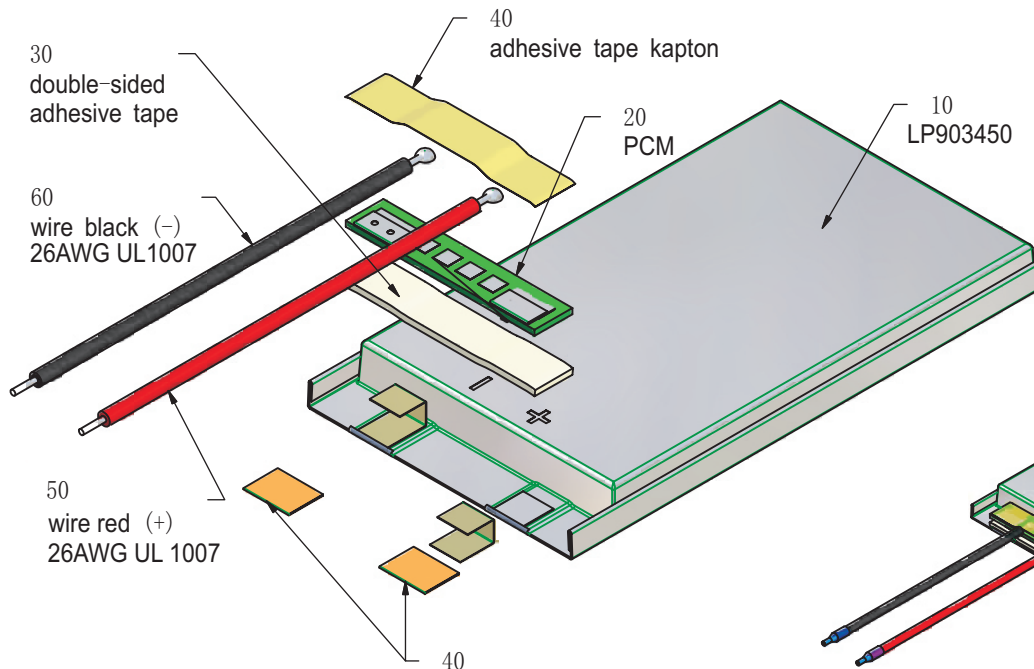
Rated capacity: 1600mAh min, 1650mAh typ.
 Nominal voltage: 3.7V
 Max. operating voltage range: 3.0V to 4.2V
 Charge voltage: 4.2 ± 50 mV
 Initial charge current: Standard charge: 800mA
 Rapid charge: 1600mA
 Charging cut-off (A or B)
 A) By time: Standard charge: 7 hours
 Rapid charge: 4 hours
 B) By min. current: 32.0mA
 Max continuous discharge current: 1600mA
 Exp. cycle life: >500 cycles >70% of initial cap. (0.5C/0.5C)
 Internal impedance (1kHz): approx 38mOhm
 Cell protection
 Overcharge detection: 4.325 ± 25 mV
 (0.5 to 2.0 sec. delay, resume 4.075 ± 50 mV)
 Overdischarge detection: $3.00V \pm 25$ mV
 (6.25 to 250msec. delay, resume $2.9V \pm 100$ mV)

Ambient conditions

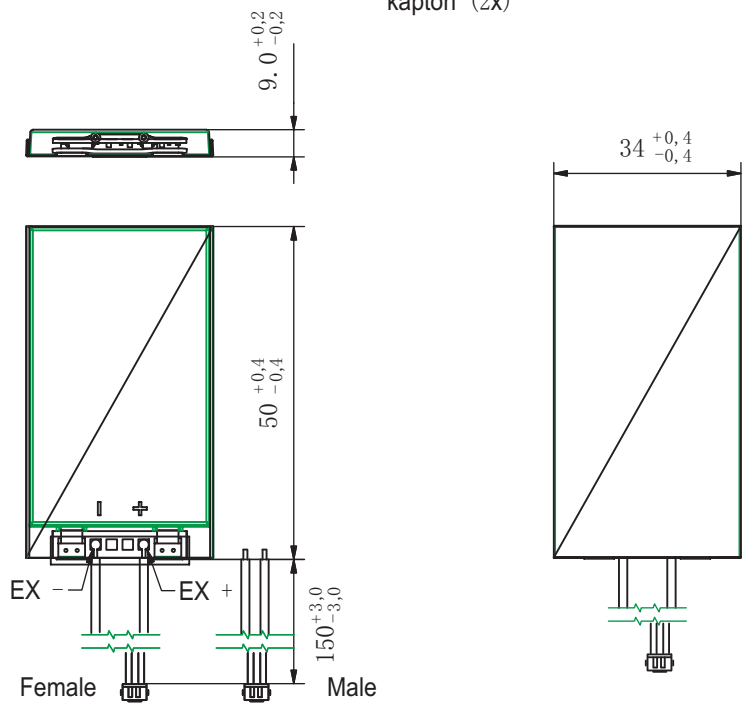
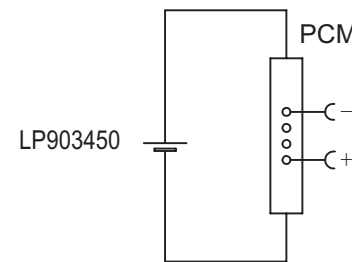
Temperature range
 Charge: 0 to $+45^\circ\text{C}$
 Discharge: -20 to $+60^\circ\text{C}$
 Charge retention/Storage: 1 year at -20 to 20°C >70%
 3 month at -20 to 45°C >70%
 1 month at -20 to 60°C >70%

Safety

Please follow handling and Safety Precautions Poliflex.



Circuit diagram



Index	Alteration		Date	Name
Projection:		Diese Mae werden besonders geprüf This dimensions are considered inspectable		Material 6645175 6819
Mae in mm All dimensions in mm	Freimatoleranzen Generaltoleranzen	Date	Name	
Als Betriebsgeheimnis anvertraut, alle Rechte vorbehalten.	up to 6 ' 0,1 over 6 up to 30 ' 0,2 over 30 up to 100 ' 0,3 over 100 ' 0,5	Erst./Orig. 12. 08. 2013	Xie Qingfang	
Proprietary data, company confidential, all rights reserved.		Bepr./Check. 12. 08. 2013	Guo Daxia	
	Benennung/Designation	LP903450		Zchg. / Dwg. Nr. 3 FD_2566_12
	Origin:			Index

