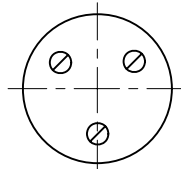
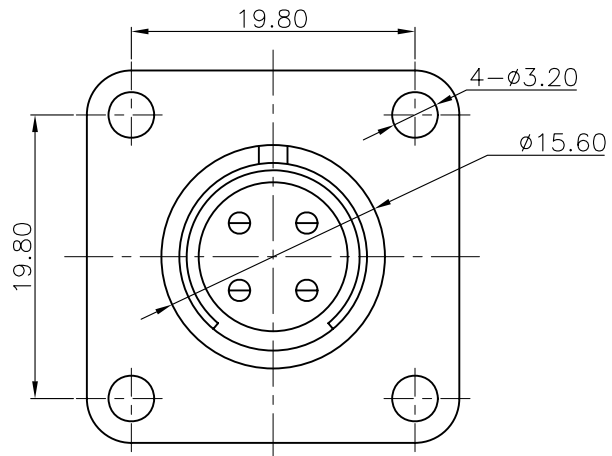
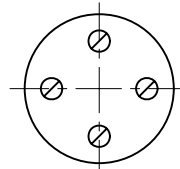


NOTES:

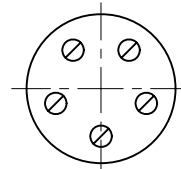
- 1.SPECIFICATION
 - .CURRENT RATING: 5A Max.
 - .DIELECTRIC WITH STANDING VOLTAGE: 500V(AC)
 - .CONTACT RESISTANCE: 100mΩ Max.
 - .INSULATION RESISTANCE
- 2.PRODUCT NUMBER CODE: : 1000MΩ(DC)Min.



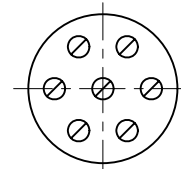
3pin



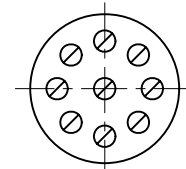
4pin



5pin



7pin



9pin

GENERAL TOLERANCE		ANGLE TOLERANCE		PROJECTION		TITLE	MICRO JACK CONNECTOR	
X.	±0.60	X.	±5°	UNITS	mm			
.X	±0.38	.X	±3°	SHEET SIZE	A4	SERIES		
.XX	±0.25	.XX	±2°					
DRAWING TYPE		CUSTOMER						
SCALE		1:1	SHEET		1 OF 1			
DRAWING NO.								