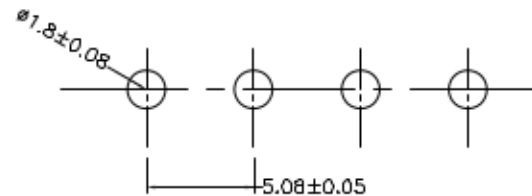
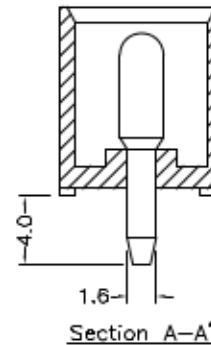
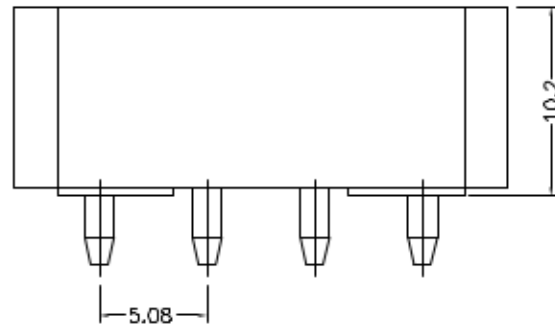
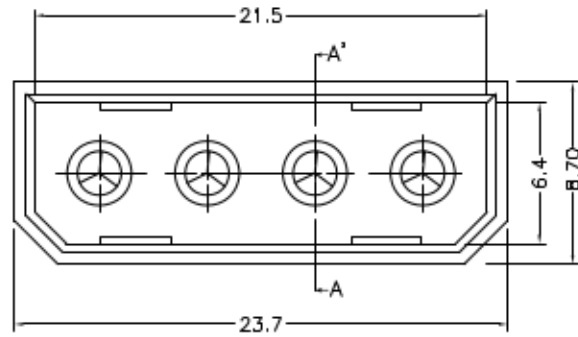


REV.	SPECIFICATION	ECN NO.	APPD.



P.C.Board Layout

**Material:**

Housing: High Temperature Plastic UL94V-2

Contacts: Copper Alloy

**Electrical Characteristics:**

Current Rating: 7 AMP.

Dielectric Withstanding Voltage: AC1500V For 1 minute.

Insulator Resistance: 1000MΩ min. at DC 100V.

Operating Temperature: -25°C~+105°C .

**\*RoHS Compliant**

4874- 04 T S B  
 Series No. of Pin Count T: Tin Plated S: Straight B: Bulk Package

Tolerances	Drawn No.	4874D01003	Title:			
x = ±0.5	Projection		4874 Series			
.x = ±0.25	Unit	mm	Scale	1:1	Wafer pitch 5.08mm	
.xx = ±0.15	Drawn By	Shi 05/25'11	P/N: 4874-04TSB			
			SHEET	1/1	Ver. No.	A6