

0.9° 42mm Hybrid Stepper Motor-NEMA17



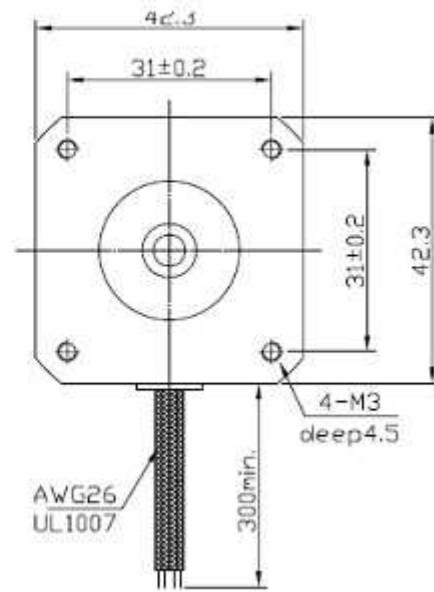
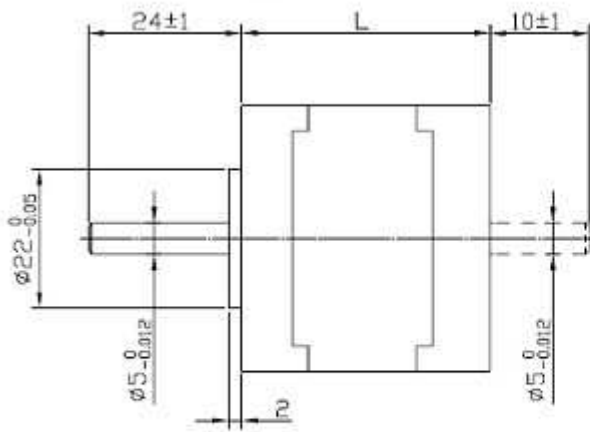
General Specification:

Item	Specifications
Step Angle	1.8°
Temperature Rise	80°C max
Ambient Temperature	-20°C ~ +50°C
Insulation Resistance	100 MΩ Min. ,500VDC
Dielectric Strength	500VAC for 1minute
Shaft Radial Play	0.02Max. (450g-load)
Shaft Axial Play	0.08Max. (450g-load)
Max. radial force	28N (20mm from the flange)
Max. axial force	10N

Electrical Specifications:

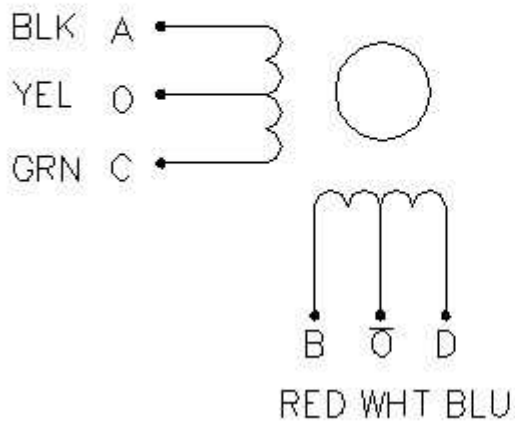
Model No.	Step Angle	Motor Length	Current /Phase	Resistance /Phase	Inductance /Phase	Holding Torque	# of Leads	Detent Torque	Rotor Inertia	Motor Length
	(°)	(L)mm	A	Ω	mH	kg.cm	No.	g.cm	g.cm	Kg
42HM34-0956	0.9	34	0.95	4.2	4	1.58	6	200	35	0.22
42HM34-0606	0.9	34	0.6	10	9.5	1.58	6	200	35	0.22
42HM34-0316	0.9	34	0.31	38.5	33	1.58	6	200	35	0.22
42HM34-1334	0.9	34	1.33	2.1	4.2	2.2	4	200	35	0.22
42HM40-1206	0.9	40	1.2	3.3	3.4	2.59	6	220	54	0.28
42HM40-0806	0.9	40	0.8	7.5	6.7	2.59	6	220	54	0.28
42HM40-0406	0.9	40	0.4	30	30	2.59	6	220	54	0.28
42HM40-1684	0.9	40	1.68	1.65	3.2	3.3	4	220	54	0.28
42HM48-1206	0.9	48	1.2	3.3	4	3.17	6	250	68	0.35
42HM48-0806	0.9	48	0.8	7.5	10	3.17	6	250	68	0.35
42HM48-0406	0.9	48	0.4	30	38	3.17	6	250	68	0.35
42HM48-1684	0.9	48	1.68	1.65	4.1	4.4	4	250	68	0.35

Dimensions:(Unit=mm)



Wiring Diagram:

6 LEADS



4 LEADS

