

1

2

3

4

D

D

C

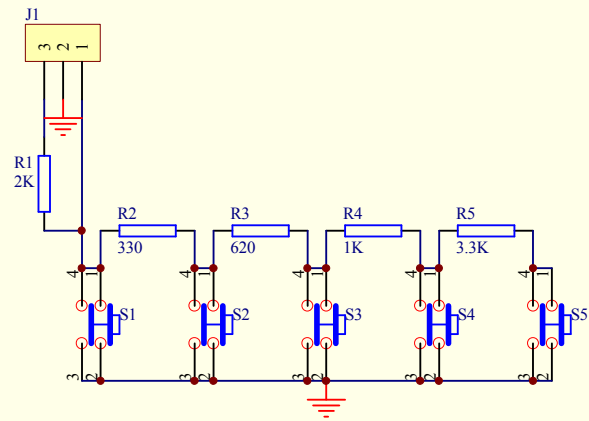
C

B

B

A

A



Title		
Size A4	Number	Revision
Date: 23-Mar-2010	Sheet of	
File: D:\plan\产品记录\arduino\arduino_NGDMOD\16\16.D	Drawn By:	

1

2

3

4