



Product Name:	Argon POD Case and HDMI Module for Zero 2
Product Model:	A22-002 AR-POD – Argon POD Case A22-003 AR-POD-HDMI – POD HDMI-USB Module
EAN / UPC:	POD Case – 6974297861221 POD Case with HDMI – 6974297861238
Data Sheet Version:	Rev 1.0 Date: Mar 2022
Argon 40 SKU:	A22-002 AR-POD A22-003 AR-POD-HDMI KIT

1. Application:

- Raspberry Pi Zero 2 W Enclosure
- Compatible with other Zero and Zero W Boards
- Conversion from microHDMI to regular HDMI
- Addition of USB ports via HDMI Hub

Product Features:

- **ARGON POD CASE**
 - Aluminum enclosure for Raspberry Pi Zero 2 W (**compatible with other Zero and Zero W Boards**)
 - Passive Cooling
 - Access to all Zero 2 W Ports
 - Replaceable ABS Plastic Cover
 - Connects seamlessly with the POD HDMI-USB Hub Module
- **POD HDMI-USB HUB Module**
 - Connects seamlessly with the POD Case
 - **Output PORTS:**
 - One (1) Regular HDMI
 - Two (2) USB2 Ports
 - 12-PIN USB expansion port
 - Female MicroUSB expansion port

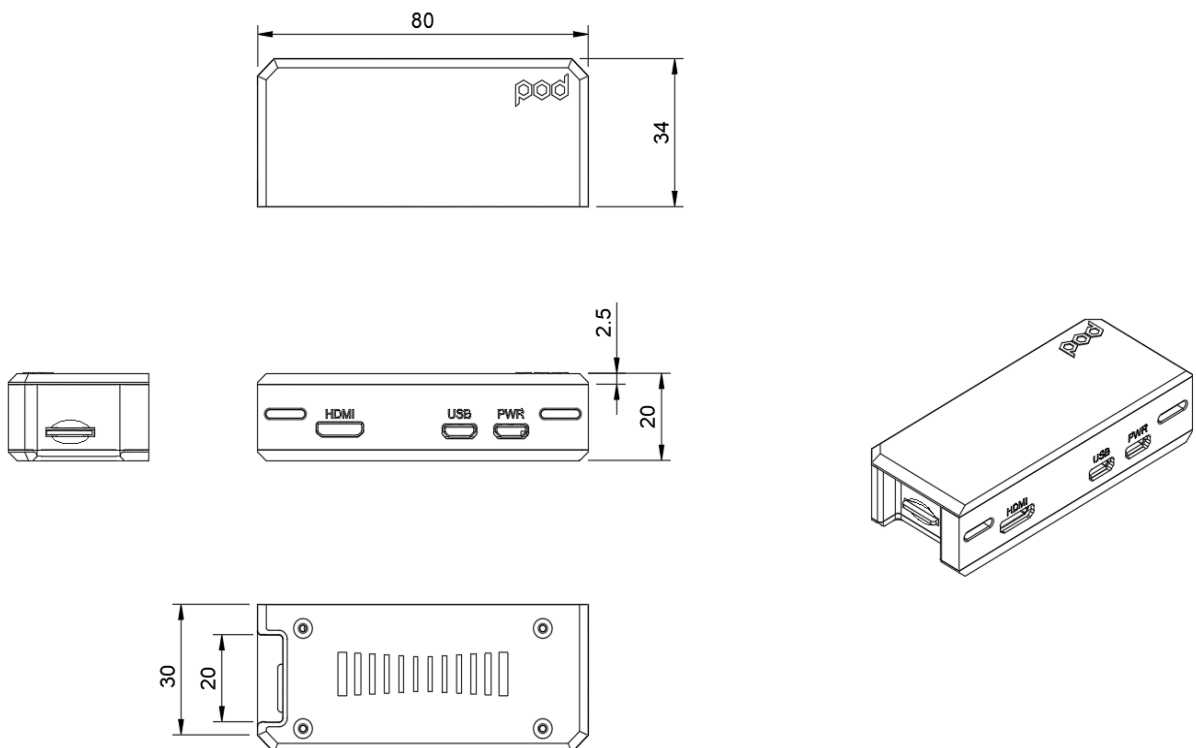
- **Input PORTS:**
5V MicroUSB port
USB 2.0 MicroUSB port

2. Product Specifications:

- Power requirement: 5V, 3Amp; via microUSB Port
- Product Material: Cast Aluminum and Extruded Aluminum

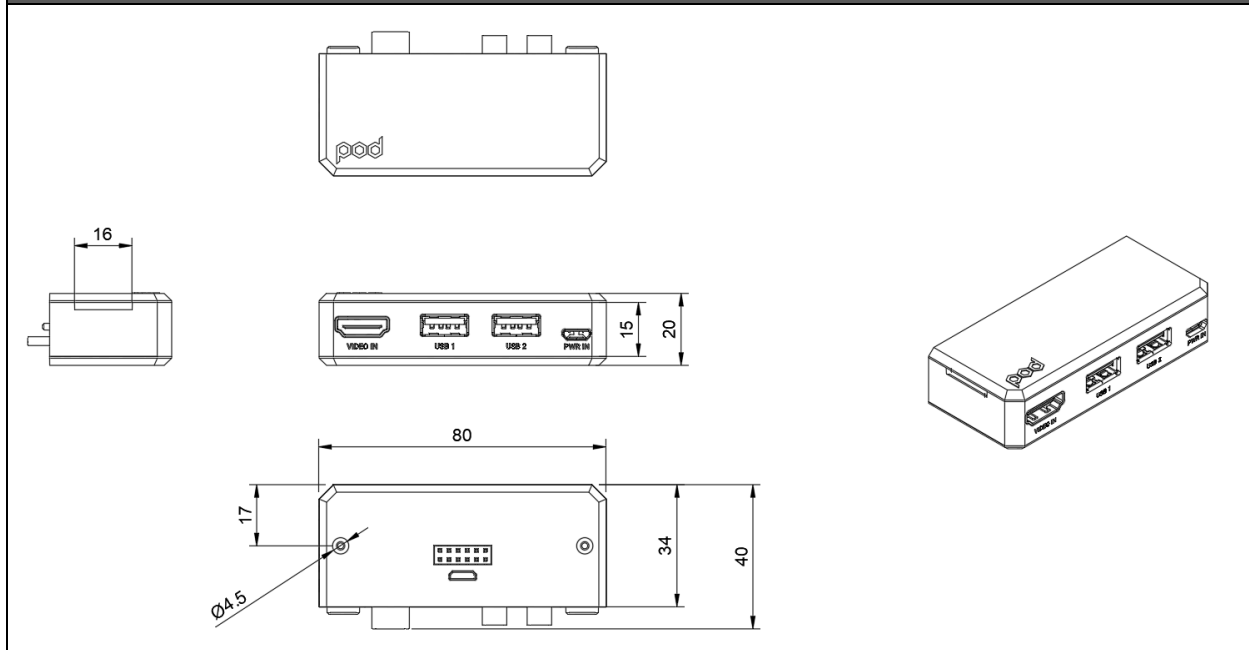
3. Mechanical Information and Functional Diagram:

3.1 A22-002 AR-POD – Argon POD Case



3.2 A22-003 AR-POD-HDMI-USB Hub

POD HDMI-USB Hub Module



4 Reference Design:

- (Electronics Schematics)

5 Product Compliance Information:

- This part is compliant with EU 2002/95/EC RoHS directive (Restrictions on the Use of Certain Hazardous Substances in Electrical and Electronic Equipment)
- CE Certification

6 Contact Information:

Website:

<https://www.argon40.com>

Email:

cs@argon40.com